



780™

Owner's Manual

Read and save these instructions



Vita-Mix Corporation
8615 Usher Road
Cleveland, OH 44138-2103 U.S.A.
1.800.848.2649/ 1.440.235.4840
vitamix.com

CONTENTS

Contents	2
Symbols	3
Let's Get Started	3
Important Safeguards	4
Parts and Features.....	6
Control Panel	8
About the Blades	9
Tamper	10
How to Use the Tamper	11
Hints for Setting Speeds	12
Operating Instructions	13
Care and Cleaning	15
Service and Registration.....	17
Warranty	18
Specifications	20

SYMBOLS



Warning



Never touch moving parts. Keep hands and utensils out of container.



Caution



Operate with lid and lid plug in place



Electrical shock hazard



Read and understand owner's manual



High temperature when blending hot liquids.



Do not immerse



Do not insert items into container while blender is in use

(I)/(O) On/Off



Unplug while not in use, before cleaning, changing accessories or approaching parts that move in use

LET'S GET STARTED

Congratulations!

You are about to see how quick, easy and delicious healthy eating can be!

Before first use:

1. Please read all the safety information, warnings and instructional material found in this booklet.
2. Set your Vitamix blender on a dry, level surface.
3. Carefully remove the cable tie on the power cord.
4. Make sure the On/Off (power switch) is set to Off. Plug the blender into an appropriate voltage and grounded electrical outlet.
5. Follow the cleaning instructions on page 15 to prepare your blender for use.

IMPORTANT SAFEGUARDS



WARNING: To avoid the risk of serious injury when using your Vitamix blender, basic safety precautions should be followed, including the following.



READ ALL INSTRUCTIONS, SAFEGUARDS, AND WARNINGS BEFORE OPERATING BLENDER.

1. Read all instructions.
2. Do not use blender for other than intended use.
3. Not intended for use by or near children or persons with reduced physical, sensory, or mental capabilities or lack of experience and knowledge. Close supervision is necessary when any appliance is used by or near children or incapacitated persons. Children should be supervised to ensure that they do not play with the blender.
4. **WARNING:** To avoid inadvertent activation, turn off and unplug before cleaning.
5. **CAUTION:** In order to avoid a hazard due to inadvertent resetting of the thermal cut-out, this blender must not be supplied through an external switching device, such as a timer, or connected to a circuit that is regularly switched on and off by the utility.
6. To protect against risk of electrical shock, do not put the blender base in water or other liquid.
7. Unplug from outlet when not in use, before putting on or taking off parts, and before cleaning.
8. Always check that the blender is OFF before plugging cord into wall outlet. To disconnect, turn OFF the blender, then remove plug from wall outlet.
9. Illuminated icons and numbers on the control panel indicates ready to operate. Avoid inadvertent contact with the touch screen.
10. Avoid contacting moving parts.
11. Do not operate any appliance with a damaged cord or plug or after the appliance malfunctions, or is dropped or damaged in any manner. Call Vitamix Customer Service at 1.800.848.2649 or 1.440.235.4840 or email service@vitamix.com at once for examination, repair, replacement, or adjustment. If purchased outside the U.S.A. or Canada, contact your local Vitamix dealer.
12. Alteration or modification of any part of the blender, including the use of any part or parts that are not genuine authorized Vitamix parts, may cause fire, electric shock, or injury and may void your warranty.
13. The use of attachments not expressly authorized or sold by Vitamix for use with this blender, including canning jars, may cause fire, electric shock, or injury.
14. Do not use outdoors.
15. Do not let cord hang over edge of table or counter.
16. Do not place on or near a hot gas or electric burner or in a heated oven.
17. Keep hands and utensils out of container while blending to reduce the risk of severe injury to persons or damage to the blender. A rubber scraper or spatula may be used, but only when the Vitamix blender is not running.
18. The tamper provided must be used only when the main part of the lid is in place.
19. Blades are sharp. Clean around the blade assembly in the container with extreme care to avoid injury. To reduce the risk of injury, never place a blade assembly on the motor base unless assembled to the Vitamix container.
20. Care should be taken when handling the sharp cutting blades, emptying the container and during cleaning.

IMPORTANT SAFEGUARDS

21. Do not leave foreign objects, such as spoons, forks, knives or the lid plug, in the container as this will damage the blades and other components when starting the blender and may cause injury.
22. Never attempt to operate with damaged blades.
23. Always operate blender with lid and lid plug firmly in place. The lid plug should be removed only when adding ingredients and when using the tamper.
24. When blending hot liquids or ingredients, use caution; spray or escaping steam may cause burns. Do not fill container to the maximum capacity. Always begin processing on the lowest speed setting, variable speed 1. Keep hands and other exposed skin away from lid opening to prevent possible burns.
25. When making nut butters or oil-based foods, do not process for more than one minute after the mixture starts to circulate in the container. Processing for longer periods can cause overheating.

SAVE THESE INSTRUCTIONS



⚠ WARNING		
	<p>To Avoid Injury. Read and understand instruction manual before using the blender.</p>	

IMPORTANT INSTRUCTIONS FOR SAFE USE

This blender is intended for HOUSEHOLD USE ONLY and is not intended to be used for commercial purposes.

Do not leave your Vitamix blender unattended when operating.

Any repair, servicing, or the replacement of parts must be performed by Vitamix or an authorized service representative.

⚠ WARNING		
	<p>Electrical Shock Hazard. Use grounded outlet only. DO NOT remove ground. DO NOT use an adapter. DO NOT use an extension cord. Always unplug before cleaning the motor base or when not in use. Do not put the motor base in water or other liquid. Failure to follow instructions can cause death or electrical shock.</p>	

NOTICE: THE FAILURE TO FOLLOW ANY OF THE IMPORTANT SAFEGUARDS AND THE IMPORTANT INSTRUCTIONS FOR SAFE USE IS A MISUSE OF YOUR VITAMIX BLENDER THAT WILL VOID YOUR WARRANTY AND CREATE RISK OF SERIOUS INJURY.

PARTS AND FEATURES



1 On/Off (I/O) Switch: The On/Off (I/O) (or Power) Switch is on the right-hand side of the blender base. The On/Off (I/O) Switch controls the power to the blender.

2 Control Panel: For more information, refer to Control Panel on Page 8.



CAUTION: Lids and tampers are not interchangeable between different container styles, types and sizes. For more information, refer to Tamper on Page 10.

3 64-oz. capacity container with 2-part lid:

- Use the lid and lid plug when the blender is in operation
- Never operate the blender without checking to make sure that the lid is securely locked in place.
- Ounces, Milliliters and Cups are clearly marked.
- Insert the lid plug through the lid and secure by turning clockwise.
- Remove the lid plug only to use the tamper or add ingredients.

4 Tamper: Using the tamper maintains circulation by preventing air pockets from forming during blending.

PARTS AND FEATURES

⚠ WARNING



Rotating Blades Can Cause Severe Injury.

DO NOT reach into the container while the blender is running.



To Lock the Lid in Place: Position the lid on the container with the lid flaps midway between the spout and the handle. Push the lid down onto the container until it locks into place. The lid must always be secured when processing, especially when blending hot liquids. **Never operate the blender without checking to make sure that the lid is securely locked in place.**

To Remove the Lid: Lift up on one lid flap, while holding the container securely.

To Remove the Lid Plug: Rotate the lid plug counterclockwise from the “locked” to the “unlocked” position and lift out.

Power Cord: Your blender is equipped with a long power cord. Store the unused portion neatly underneath. Plastic cable retainers hold the cord securely. They are flexible and return to position after the cord is lifted out.

The blender motor is designed to be protected from overheating during use. This feature will shut off the motor. The motor will possibly emit a slight odor. Allow the blender to cool for 20-45 minutes before beginning another blending cycle.

Tips to prevent “overloading” your Vitamix blender:

- Only process Vitamix recipes when learning to use the blender
- Do not process recipes at lower speeds than those recommended
- Do not process recipes at higher speeds than those recommended
- Do not process recipes for longer than recommended
- Use your tamper to process thicker mixtures and keep ingredients moving around and through the blades

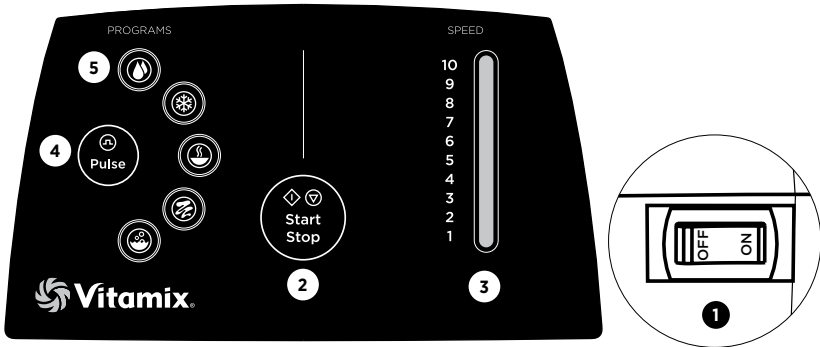
Flashing Lights on Control Panel:

If you see the Pulse, LED 1 and LED 10 blink quickly, material is resting on a touch zone, causing the condition. Power the blender off (On/Off Switch), unplug the blender and clean the material off the control panel. After cleaning is complete, plug the blender in and turn the power back on (On/Off Switch) to continue blending.

Maximum Continuous Run Time:

Maximum continuous allowed run time of any function of the blender is 10 minutes. The blender will shut down after 10 minutes of continual usage.

CONTROL PANEL



1 On/Off (I/O) Switch:

The On/Off (I/O) Switch controls the power to the blender base. The On/Off (I/O) Switch is located on the right side of the blender base.

Move the On/Off (I/O) Switch to the Off (O) position:

- after each use
- at night
- whenever the blender is left unattended.

If the On/Off (I/O) Switch is moved to the Off (O) position to stop a program mid-cycle, wait 30 seconds for power to recycle and the timer to reset before moving the On/Off (I/O) Switch back to the On (I) position.

2 Start (◊)/Stop (◑):

Blending can be interrupted by pressing Start (◊) /Stop (◑) at any time.

The blender will enter Standby mode if the control panel is not used after a period of time (after 30 seconds). To wake the blender from standby mode, press any button: Start (◊) /Stop (◑), one of the Programs or a Speed on the Variable Speed Selector.

3 Variable Speed Selector:

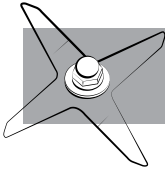
The Variable Speed Selector is used to select a speed from 1 (low) to 10 (high).

4 Pulse (⊞):

The blender will blend at 50% of high power when pressed.

5 Programs:

Press a program button to select a program for Smoothies (☉), Frozen Desserts (☼), Soup (☽), Purées (☾) or Cleaning (☿).



ABOUT THE BLADES

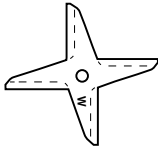
The wet-blade container comes as standard with the Vitamix blender. The blade is identified by a “W” for wet. This blade is used for most recipes. Additional containers with wet or dry blades may be purchased separately.

⚠ WARNING

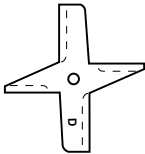


Rotating Blades Can Cause Severe Injury.

DO NOT reach into the container while the blender is running.



Wet-Blade Container: Designed for processing liquids, including juice, frozen mixtures, sauces, soup, purées, batter, and for wet chopping. The wet blades can also process grain and knead dough, but they are not as efficient as the dry blades in this application. See instructions for dry container use.



Dry-Blade Container: These blades are clearly marked “D” and are designed specifically for processing dry materials such as grain, cereal and coffee, and are also used for kneading bread dough. The dry blades CANNOT process liquids efficiently. **If you prepare herbs on a regular basis, you may wish to purchase a separate dry-blade container.**

⚠ CAUTION



Moving Parts May Become Hot with Extended Use.

DO NOT touch.



TAMPER

CAUTION



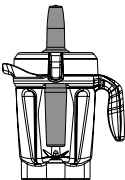
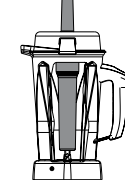
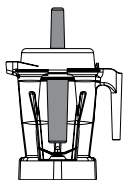
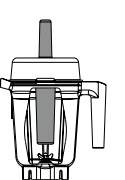

Rotating Blades Can Cause Damage.

Lids and tampers are not interchangeable between different container styles, types and sizes. Use the tamper that was supplied with your blender.

How to Determine the Tamper to be Used with Your Container

Before using a tamper during the blending process, verify that you have the correct tamper. Only use the tamper with the lid in place and the lid plug removed. **If a tamper came with your blender and container at purchase, it is the correct tamper to use.** If a tamper did not come with your container or you want to determine if a tamper that you already have can be used with your new container, please see the inspection steps and illustration below.

1. Place the lid on an empty container.
2. Remove the lid plug and insert the tamper. The tamper should fit easily into the opening. It should not come into contact with the blades no matter where you move the tamper inside the container
3. Visually inspect: **IF THE TAMPER TOUCHES THE BLADES AT ANY ANGLE, DO NOT USE THE TAMPER WITH YOUR CONTAINER.**
4. If you do not have the correct tamper for your container, contact Vitamix Household Customer Service at 1.800.848.2649 or 1.440.235.4840.

				
64 oz. / 2,0 L (SHORT)	64 oz. / 2,0 L (TALL)	48 oz. / 1,4 L	32 oz. / 0,9 L	
64 oz. / 2 L Short Container uses a tamper which is approx. 11 in. long.	64 oz. / 2 L Tall Container uses a tamper which is approx. 12-½ in. long.	48 oz. (1.4 L) and 32 oz. (0.9 L) Containers use a tamper which is approx. 9-¾ in. long.		A non-step tamper must not be used with any of the containers.

HOW TO USE THE TAMPER

⚠ WARNING



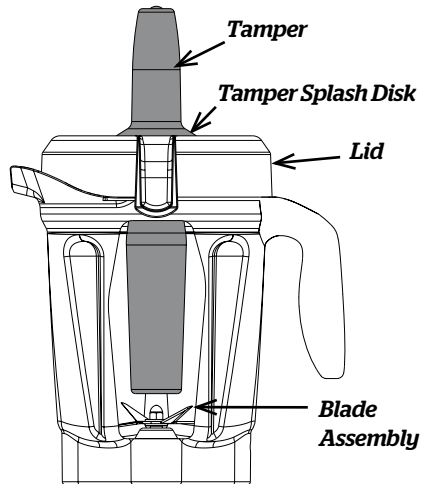
Rotating Blades Can Cause Severe Injury.

- **DO NOT** put hands, spatulas, utensils, etc. into the container while the blender is running or while the container is on the base.
- Lids and tampers are not interchangeable between different container styles, types and sizes. Use the tamper that was supplied with your blender.



IMPORTANT!

- The splash disk (near the top of the tamper) and lid prevent the tamper from hitting the blades when the lid is secured properly in the locked position.
- The container should not be more than two-thirds full when the tamper is used during blending.
- To avoid overheating during blending, **DO NOT** use the tamper for more than 30 consecutive seconds.
- If the food does not circulate, the blender may have trapped an air bubble. Carefully remove the lid plug, while making sure the lid stays firmly in place. Release the air bubble by inserting the tamper through the lid plug opening.
- Holding the tamper straight down may not help the ingredients circulate. If necessary, point the tamper towards the sides or corners of the container. **DO NOT** try to force the tamper deeper into the container.



HINTS FOR SETTING SPEEDS

⚠ CAUTION



To Avoid Possible Burns, Never Start on Speeds Above 1 when Processing Hot Liquids.

Escaping steam, splashes or contents may burn.

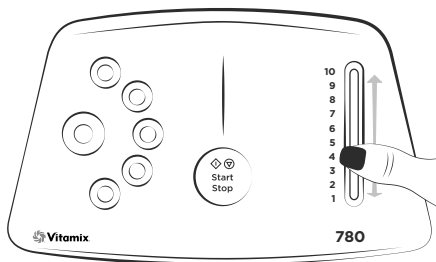
To secure the contents, lock the lid and lid plug securely in place prior to operating the blender.

Always start on Variable 1, then slowly increase to 10.



Using Variable Speed

1. To pick a speed, press the Variable Speed Selector until the number illuminates.
2. Slide your finger up or down to increase or decrease the speed of the blender (1 is low, 10 is high). When the speed changes, the corresponding number will illuminate.

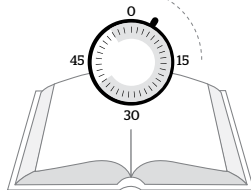


3. Return the Variable Speed Selector back to 1 at the end of the blending cycle, press Start (◊)/Stop (⊙) to completely stop blade rotation.

Use the highest setting stated in the recipe for as much of the processing time as possible to make smoothies, soup, shakes, frozen mixtures, purées, nut butter, and for grinding grain. Processing times will generally be less than one minute (most take less than 30 seconds).

Blending for too long at too low a speed setting may overheat the blender and cause

the Automatic Overload Protection to turn off the blender. Blending on a higher speed maximizes the working of the motor's cooling fan to avoid overheating.



Programs

Your blender has programs for Smoothies (☉), Frozen Desserts (☼), Soup (☽) or Purées (☾) and Cleaning (☽). The blade rotation speed may change over the course of the blender program. Allow the blender to cycle through the complete operation. The blades will stop rotating automatically at the end of the program.

OPERATING INSTRUCTIONS

⚠ CAUTION



To Avoid Possible Burns, Never Start on Speeds Above 1 when Processing Hot Liquids.

Escaping steam, splashes or contents may burn.

To secure the contents, lock the lid and lid plug securely in place prior to operating the blender.

Always start on Variable 1, then slowly increase to 10.



During your first few uses, you may notice a slight burning odor as the motor is primed. This is completely normal and will dissipate quickly.

Wet-Blade Container

The Wet-Blade Container is designed for processing liquids, including juice, frozen mixtures, sauces, soup, purées and batter.

1. Load the container before placing it on the motor base. Place liquids and soft foods in the container first, then solid items and, finally, ice.

2. Fasten the 2-part lid securely. Always use the complete 2-part lid when blending (unless the tamper is inserted through the lid plug opening). Make sure that the lid is securely latched, especially when blending hot ingredients.

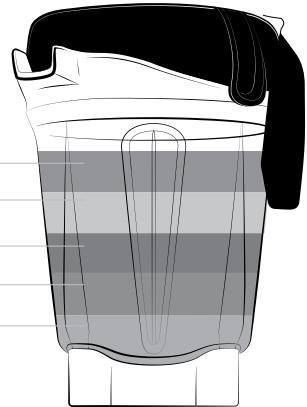
***Ice & Frozen
Ingredients***

Fruits & Veggies

Leafy Greens

Dry Goods

Liquids



3. With the motor off, set the wet-blade container on the motor base by aligning it over the centering pad. Never attempt to put a container onto an operating motor base or to operate a motor base without a container properly in place.

4. To begin, make sure that the On/Off Switch is in the On (I) position.

OPERATING INSTRUCTIONS

5. Press in the Variable Speed Selector or press a program until it illuminates.
6. Activate the blades by pressing Start (◊)/Stop (⊖). Your container may shift and align itself. Follow the recipe and adjust the variable speed as necessary.
7. If the mixture stops circulating, insert the tamper through the lid plug and stir the ingredients until it “burps” and the blades circulate the ingredients. If this does not work, press Start (◊)/Stop (⊖) to stop the motor. Remove the container from the motor base and use a rubber spatula to press the air bubble away from the blades. Return the container to the motor base, replace the lid and continue blending.
8. Until you are accustomed to the blender, time blends carefully to avoid over-processing.
9. Allow the program to finish. The blade rotation will stop automatically at the end of the program. If using Variable Speed, return the speed to 1. Press Start (◊)/Stop (⊖).
10. Wait until the blades stop completely before removing the lid or container from the motor base.

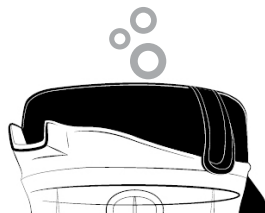
Dry-Blade Container

Your dry-blade container should be used only for hard, dry materials, such as grain, and for kneading dough.

1. Load the container before placing it on the motor base.
2. Fasten the 2-part lid securely. Always use the complete 2-part lid when blending (unless the tamper is inserted through the lid plug opening).
3. With the motor off, set the dry-blade container on the motor base by aligning it over the centering pad. Never attempt to put a container onto an operating motor base or to operate a motor base without a container properly in place.
4. To begin, make sure that the On/Off Switch is in the On (I) position.
5. Press in the Variable Speed Selector or press a program until it illuminates.
6. Activate the blades by pressing Start (◊)/Stop (⊖). Your container will shift and align itself. Follow the recipe and adjust the variable speed as necessary.
7. Until you are accustomed to the blender, time the blend carefully to avoid over-processing.
8. Allow the program to finish. The blade rotation will stop automatically at the end of the program. If using Variable Speed, return the speed to 1. Press Start (◊)/Stop (⊖).
9. Wait until the blades stop completely before removing the lid or container from the motor base.

CARE AND CLEANING

To prepare your new blender for initial use, follow the steps under Normal Cleaning, below. This will clean the unit and break in the motor.



1. Fill the container half full with warm water and add a couple drops of liquid dish washing detergent to the container.
2. Snap or push the complete 2-part lid into the locked position.
3. Perform one of the following procedures:
 - Variable Speed:
 - a. Set the Variable Speed Selector to 1.
 - b. Press the Start (⏻)/Stop (⏹).
 - c. Slowly increase Variable Speed to 10.
 - d. Run the blender for 30 to 60 seconds.
 - e. Reduce the Variable Speed Selector to 1. Press Start (⏻)/Stop (⏹).
 - Program:
 - a. Press the Cleaning (🌀) program icon until it illuminates.
 - b. Press Start (⏻)/Stop (⏹).
 - c. Allow the program to complete.
4. Rinse and drain the container.

To Sanitize

1. Follow the cleaning instructions above.
2. Fill the container half full with water and 1 ½ teaspoons of liquid bleach.
3. Snap or push the complete 2-part lid into the locked position.
4. Perform one of the following procedures:
 - Variable Speed:
 - a. Set the Variable Speed Selector to 1.
 - b. Press Start (⏻)/Stop (⏹).
 - c. Slowly increase Variable Speed to 10.
 - d. Run the blender for 30 to 60 seconds.
 - e. Reduce the Variable Speed Selector to 1. Press Start (⏻)/Stop (⏹).
 - Program:
 - a. Press the Cleaning (🌀) program icon until it illuminates.
 - b. Press Start (⏻)/Stop (⏹).
 - c. Allow the program to complete.

CARE AND CLEANING

5. Allow mixture to stand in the container for an additional 1 ½ minutes.
6. Pour bleach mixture out. Allow container to air dry.
7. Do not rinse after sanitizing.

⚠ WARNING



To Avoid Injury and Damage.

To avoid inadvertent activation, turn off and unplug the blender before cleaning.

⚠ WARNING



Electrical Shock Hazard.

Always unplug before cleaning the motor base or when not in use.

Do not put the motor base in water or other liquid.

Failure to follow instructions can cause death or electrical shock.

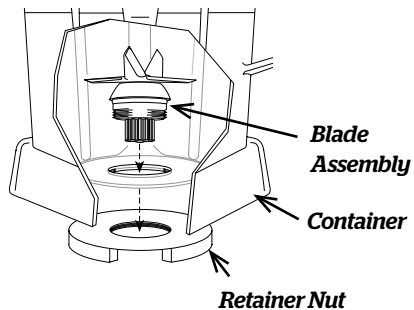


Motor Base

1. Turn the blender off. Unplug the power cable.
2. Wipe off the outside surfaces and control panel with a damp, soft cloth or sponge that has been rinsed in a mild solution of dishwashing liquid and warm water. Do not place the motor base in water.
3. The centering pad can be removed for more thorough cleaning.
4. Immediately dry all surfaces.
5. Polish with a soft cloth.

Retainer Nut Loosening

In the event that the retainer nut at the bottom of your container loosens and no longer holds the blade assembly securely in place, DO NOT CONTINUE TO USE THE CONTAINER. Contact Vitamix customer service immediately for instructions.



SERVICE AND REGISTRATION

Vitamix Service

Record the model number and serial number of your Vitamix blender in the spaces provided below for future reference. These numbers can be found on the back of the motor base.

Model Number _____

Serial Number _____

Date of Purchase _____

Purchased From _____

Before returning this product for any reason, including repair, first contact Vitamix Customer Service at 1.800.848.2649 or 1.440.235.4840, email service@vitamix.com, or contact your local dealer.

Product Registration

If you purchased your Vitamix blender directly from Vita-Mix Corporation via the company's website or call center by phone, your product was registered at the time of purchase and your Vitamix blender's warranty has been activated.

If you purchased your Vitamix blender from an International Distributor or Dealer in countries other than the United States, Canada, United Kingdom, or Ireland, your product is warranted through the International Distributor or Dealer and need not be registered with the Vita-Mix Corporation.

Your blender is not yet registered with Vitamix if you:

1. Purchased from a Dealer in the United States, Canada, United Kingdom, or Ireland
2. Purchased from a military base
3. Purchased from a retail or wholesale store
4. Received your Vitamix blender as a gift
5. Are not the original owner of the blender

Enjoy faster and easier service in the future by taking a few minutes to register your Vitamix blender today.

Choose one of these easy ways to register your blender:

1. Online at vitamix.com/warranty
2. Email service@vitamix.com
3. Call 1.800.848.2649 or 1.440.235.4840

Your warranty may be honored by Vita-Mix Corporation or an authorized dealer.

Failure to register your blender will not diminish your warranty rights.

WARRANTY

7-Year Full Machine Warranty

1. PRODUCT REGISTRATION.

Vita-Mix Corporation (“Vitamix”) strongly encourages you to register your purchase by completing and returning the product registration card that came with this Blender. You can register online at vitamix.com/warranty; or by calling our Customer Service Department at 1.800.848.2649 or 1.440.235.4840. Failure to register your product purchase will not diminish your warranty rights. However, registering your purchase will allow Vitamix to better serve you with any of your customer service needs.

2. WHO CAN SEEK WARRANTY COVERAGE.

This Warranty is extended by Vitamix to the owner of this Blender for personal household use only. This Warranty does not apply to products used for commercial, rental or re-sale purposes. Should ownership of the blender change during the 7-year period, please update the Blender’s owner information at vitamix.com/warranty.

3. WHAT IS COVERED.

Vitamix warrants to the owner that if this Blender (a “Blender” consists of a **motor blender base, any container(s) and tamper(s) purchased together**) fails within 7 years from the date of purchase due to a defect in material or workmanship or as a result of normal wear and tear from ordinary household use, Vitamix will, within 30 days of receipt of the returned product, repair the failed Blender or component part of the Blender free of charge.

If, in Vitamix’s sole discretion, the failed Blender or component part of the Blender cannot be repaired, Vitamix will elect to either (A) replace the Blender free of charge or (B) refund the full purchase price to the owner, unless Vitamix receives prior written notice of the owner’s preference.

4. WHAT IS NOT COVERED.

This Warranty does not apply to Blenders used commercially or in non-household applications. This Warranty does not cover cosmetic changes that do not affect performance, such as discoloration or the effects of the use of abrasives or cleaners or food build up. This Warranty is only valid if the Blender is used and maintained in accordance with the instructions, warnings and safeguards contained in the owner’s manual.

Vitamix will not be responsible for the cost of any unauthorized warranty repairs.

REPAIR, REPLACEMENT OR REFUND OF THE PURCHASE PRICE ARE THE EXCLUSIVE REMEDIES OF PURCHASER AND THE SOLE LIABILITY OF VITAMIX UNDER THIS WARRANTY. NO EMPLOYEE OR REPRESENTATIVE OF VITAMIX IS AUTHORIZED TO MAKE ANY ADDITIONAL WARRANTY OR ANY MODIFICATION TO THIS WARRANTY WHICH MAY BE BINDING UPON VITAMIX. ACCORDINGLY, PURCHASER SHOULD NOT RELY UPON ANY ADDITIONAL STATEMENTS MADE BY ANY EMPLOYEE OR REPRESENTATIVE OF VITAMIX. IN NO EVENT, WHETHER BASED ON CONTRACT, INDEMNITY,

WARRANTY

WARRANTY, TORT (INCLUDING NEGLIGENCE), STRICT LIABILITY OR OTHERWISE, SHALL VITAMIX BE LIABLE FOR ANY SPECIAL, INDIRECT, INCIDENTAL OR CONSEQUENTIAL DAMAGES, INCLUDING, WITHOUT LIMITATION, LOSS OF PROFIT OR REVENUE.

Some states do not allow limits on warranties. In such states, the above limitations may not apply to you. Outside the U.S.A. and Canada, other warranties may apply.

5. WHAT VOIDS THIS WARRANTY.

Abuse, misuse, negligent use, alteration of the Blender, exposure to abnormal or extreme conditions, or failure to follow the operating instructions in this manual will void this Warranty.

The Warranty is also void if repairs to the Blender or any component part of the Blender are performed by someone other than either Vitamix or an authorized Vitamix Service Provider or if any component part of a Blender subject to this Warranty is used in combination with a motor base or container that is not expressly authorized by Vitamix.

6. HOW TO OBTAIN RETURN AUTHORIZATION UNDER THIS WARRANTY.

In the event that the Blender or any component part of the Blender needs service or repair, please call Vitamix Customer Service at 1.800.848.2649 or 1.440.235.4840. You will be asked to provide a date of purchase and proof of purchase for any product that has not been registered with Vitamix. For product subject to this Warranty you will be provided with a return authorization number, up-to-date shipping instructions and a pre-paid return pick up label. Vitamix will pay standard shipping costs on the return of a Blender or component part for warranty service and repair and for return shipment of the product to you after the warranty repair or replacement. Purchaser is responsible for the costs of special shipping requests.

Within the U.S.A. and Canada, this Warranty is honored directly through the Vita-Mix Corporation.

United States

Vita-Mix Corporation
8615 Usher Road
Cleveland, Ohio 44138-2199
1-800-848-2649
service@vitamix.com

Canada

Vita-Mix Corporation
200-1701 Shepherd Street East
Windsor, Ontario N8Y 4Y5
1-800-848-2649
service@vitamix.com

You will be deemed to have accepted the returned product “as is” upon delivery unless you notify Vitamix of any problem, including shipment damage, within 48 hours of delivery.

INTERNATIONAL INSTRUCTIONS

If a blender was purchased within the U.S.A. or Canada, but is currently outside the U.S.A. or Canada, all shipping and resulting taxes and duties are at the owner’s expense. Call +1-440-235-4840 or email service@vitamix.com for more details.

SPECIFICATIONS

Vitamix 780™

Motor:

≈ 2.2 peak output horsepower motor

Electrical:

120 V, 50/60 Hz, 11.5 A

Uses a U.S.A. three-prong grounded cord.

Dimensions:

Height: 17.25 in. / 43.9 cm

Width: 8.8 in. / 22.4 cm

Depth: 9 in. / 22.9 cm

When applicable:



To see the complete line of Vitamix products,
visit **vitamix.com**



Vita-Mix Corporation
8615 Usher Road
Cleveland, OH 44138-2103 U.S.A.
1.800.848.2649/1.440.235.4840

vitamix.com

©2015 Vita-Mix Corporation. No part of this publication may be reproduced or transmitted in any form or by any means, or stored in a database or retrieval system, without the written permission of Vita-Mix Corporation.



780™

Manuel d'utilisation

Veillez lire et conserver ces instructions



Vita-Mix Corporation
8615 Usher Road
Cleveland, OH 44138-2103 États-Unis 1
800 848-2649/ 1 440 235-4840
vitamix.com

TABLE DES MATIÈRES

Table des matières.....	22
Symboles.....	23
Avant de Commencer.....	23
Consignes de Sécurité Importantes.....	24
Pièces et Caractéristiques	26
Tableau de Commande	28
À Propos des Couteaux.....	29
Pilon.....	30
Comment Utiliser le Pilon	31
Conseils pour le Réglage des Vitesses	32
Mode d'Emploi	33
Entretien et Nettoyage	35
Assistance Technique et Enregistrement.....	37
Garantie	38
Caractéristiques Techniques.....	40

SYMBOLES



Avertissement



Évitez tout contact avec les pièces mobiles. Gardez les mains et les ustensiles hors du récipient.



Attention



Faites fonctionner l'appareil uniquement lorsque le couvercle et le bouchon du couvercle sont en place



Risque de décharge électrique



Lisez et comprenez le manuel d'utilisation



Température élevée lors du mélange de liquides chauds



N'immergez pas l'appareil



N'insérez rien dans le récipient lorsque le mélangeur est en marche

(I)/(O) On/Off (Marche/Arrêt)



Débranchez l'appareil lorsqu'il n'est pas utilisé, avant de le nettoyer et avant de changer ou de manipuler des pièces mobiles

AVANT DE COMMENCER

Félicitations!

Vous êtes sur le point de constater combien une alimentation saine peut être rapide, simple et délicieuse!

Avant la première utilisation :

1. Veuillez lire toutes les consignes de sécurité, tous les avertissements et tout le matériel didactique se trouvant dans ce guide.
2. Placez votre appareil Vitamix sur une surface plane et sèche.
3. Retirez soigneusement l'attache de câble du cordon d'alimentation.
4. Assurez-vous que l'interrupteur On/Off (Marche/Arrêt) est réglé sur Off (Arrêt). Branchez l'appareil dans une tension appropriée et prise électrique mise à la terre.
5. Suivez les instructions de nettoyage à la page 35 pour préparer votre appareil à sa première utilisation.

CONSIGNES DE SÉCURITÉ IMPORTANTES



AVERTISSEMENT : Afin d'éviter les risques de blessures graves lors de l'utilisation de votre mélangeur Vitamix, des mesures de sécurité de base doivent être appliquées, y compris les suivantes.

LISEZ TOUTES LES INSTRUCTIONS, TOUTES LES CONSIGNES DE SÉCURITÉ ET TOUS LES AVERTISSEMENTS AVANT D'UTILISER LE MÉLANGEUR.


1. Lisez toutes les instructions.
2. Ne pas utiliser mélangeur pour un usage autre que prévu.
3. Non destiné à l'usage ou à proximité des enfants ou des personnes ayant des capacités ou le manque d'expérience et de connaissances physiques, sensorielles, mentales réduites ou. Une surveillance étroite est nécessaire lorsque tout appareil est utilisé par ou à proximité d'enfants ou de personnes invalides. Les enfants doivent être surveillés pour s'assurer qu'ils ne jouent pas avec le mélangeur.
4. ATTENTION: Pour éviter toute mise en route accidentelle, éteignez et débranchez l'appareil avant de le nettoyer.
5. ATTENTION: Afin d'éviter un risque dû à la remise à zéro intempestive du coupe-circuit thermique, ce mélangeur ne doit pas être alimenté à travers un dispositif de commutation externe, comme un temporisateur, ou connectée à un circuit qui est régulièrement activé et désactivé par le utilitaire.
6. Pour prévenir risques de décharge électrique, ne placez pas le socle du mélangeur dans l'eau ou tout autre liquide.
7. Débranchez l'appareil lorsqu'il n'est pas utilisé, avant d'installer ou d'enlever des pièces, et avant de le nettoyer.
8. Toujours vérifier que le mélangeur est hors tension avant de brancher le cordon dans la prise murale. Pour déconnecter, éteindre le mélangeur, puis retirer la fiche de la prise murale.
9. Icônes et des chiffres lumineux sur le panneau de commande indique prêt à fonctionner. Éviter tout contact accidentel avec l'écran tactile.
10. Évitez tout contact avec les pièces mobiles.
11. N'utilisez pas un appareil dont la fiche ou le cordon est endommagé(e) ni un appareil qui ne fonctionne pas correctement, qui est tombé ou qui a été endommagé de quelque façon que ce soit. Communiquez immédiatement avec le service à la clientèle de Vitamix en composant le +1 800 848-2649 ou le +1 440 235-4840 ou en envoyant un courriel à l'adresse service@vitamix.com si un examen, une réparation, un remplacement ou un réglage est requis(e). Si l'achat a eu lieu dans un pays autre que le Canada ou les É.-U., communiquez avec le détaillant Vitamix de votre région.
12. Altération ou la modification d'une partie quelconque du mélangeur, y compris l'utilisation de toute partie ou des parties qui ne sont pas des pièces d'origine autorisées Vitamix, peut provoquer un incendie, un choc électrique, ou de blessure et peut annuler la garantie.
13. L'utilisation d'accessoires qui ne sont pas expressément autorisés ou vendus par Vitamix pour être utilisés avec ce mélangeur, y compris les bocaux de mise en conserve, peut provoquer un incendie, une décharge électrique ou des blessures.
14. N'utilisez pas l'appareil à l'extérieur.
15. Ne laissez pas le cordon de l'appareil pendre le long de la table ou du comptoir.
16. Ne pas placer sur ou près d'un brûleur à gaz ou électrique ou dans un four chauffé.
17. Gardez les mains et les ustensiles à l'extérieur du récipient pendant le fonctionnement afin de réduire le risque de blessures corporelles graves ou de dommages au mélangeur. Vous pouvez utiliser un grattoir ou une spatule en caoutchouc, mais uniquement lorsque le mélangeur Vitamix ne fonctionne pas.
18. Le pilon fourni ne doit être utilisé que lorsque la pièce principale du couvercle est bien installée.
19. Les lames sont tranchantes. Nettoyer autour de l'ensemble de la lame dans le récipient avec un soin extrême pour éviter les blessures. Pour réduire le risque de blessure, ne placez jamais un ensemble de lames sur la base du moteur à moins assemblé au récipient Vitamix.
20. Il faut prendre soin lors de la manipulation des lames tranchantes, vider le conteneur et pendant le nettoyage.

CONSIGNES DE SÉCURITÉ IMPORTANTES

21. Ne laissez pas d'objets étrangers, comme des cuillères, des fourchettes, des couteaux et le bouchon du couvercle, dans le récipient, car cela peut endommager les couteaux et d'autres composants lors du démarrage le mélangeur et causer des blessures.
22. N'essayez jamais d'utiliser l'appareil lorsque les couteaux sont endommagés.
23. Faites toujours fonctionner le mélangeur avec le couvercle et le bouchon du couvercle fermement en place. Ne retirez le bouchon du couvercle que pour ajouter des ingrédients et pour utiliser le pilon.
24. Lorsque vous mélangez des liquides ou des ingrédients chauds, soyez prudent, car des gouttelettes ou de la vapeur pourrai(en)t vous ébouillanter et causer des brûlures. Ne remplissez pas le récipient à sa capacité maximale. Commencez toujours à mélanger à la vitesse la plus basse, à la vitesse variable 1. Gardez les mains et la peau exposée loin de l'ouverture du couvercle pour éviter les brûlures éventuelles.
25. Lors de la préparation de beurres de noix ou de produits alimentaires à base d'huile, ne faites pas fonctionner l'appareil plus d'une minute après que le mélange a commencé à circuler dans le récipient. Le fait de faire fonctionner l'appareil pendant de plus longues périodes peut causer une surchauffe.

CONSERVEZ CES INSTRUCTIONS

⚠ AVERTISSEMENT

	<p>Pour éviter les blessures</p> <p>Assurez-vous d'avoir lu et compris le manuel d'instructions de l'appareil avant son utilisation.</p>	
---	---	---



INSTRUCTIONS IMPORTANTES POUR UNE UTILISATION SÉCURITAIRE

Cet appareil est conçu pour un USAGE DOMESTIQUE SEULEMENT et n'est pas destiné à un usage commercial.

Ne laissez pas votre mélangeur Vitamix sans surveillance lorsqu'il est en marche.

L'entretien, les réparations et le remplacement des pièces doivent être effectués par Vitamix ou un technicien autorisé.

⚠ AVERTISSEMENT

	<p>Risque de décharge électrique</p> <p>Utilisez seulement une prise mise à la terre.</p> <p>N'ENLEVEZ PAS la broche de mise à la terre.</p> <p>N'UTILISEZ PAS d'adaptateur.</p> <p>N'UTILISEZ PAS de rallonge.</p> <p>Débranchez toujours l'appareil avant de nettoyer le socle-moteur ou lorsqu'il n'est pas utilisé.</p> <p>Ne placez pas le socle-moteur dans l'eau ou dans un autre liquide.</p> <p>Le non-respect de ces instructions peut entraîner la mort ou causer une décharge électrique.</p>	
---	--	---

AVIS : LE NON-RESPECT DE TOUTE CONSIGNE DE SÉCURITÉ IMPORTANTE OU DE TOUTE INSTRUCTION IMPORTANTE VISANT UNE UTILISATION SÉCURITAIRE CONSTITUE UNE UTILISATION INAPPROPRIÉE DE VOTRE MÉLANGEUR VITAMIX SUSCEPTIBLE D'ANNULER VOTRE GARANTIE ET DE CAUSER DE GRAVES BLESSURES.

PIÈCES ET CARACTÉRISTIQUES



1 Interrupteur On/Off (Marche/Arrêt) (I/O) : L'interrupteur On/Off (Marche/Arrêt ou d'alimentation) (I/O) se trouve sur le côté droit du socle-moteur de l'appareil. L'interrupteur On/Off (Marche/Arrêt) (I/O) contrôle l'alimentation de l'appareil.

2 Tableau de commande : Pour plus de renseignements, reportez-vous à la section « Tableau de commande » à la page 28.

⚠ ATTENTION : Les couvercles et les pilons ne sont pas interchangeables entre récipients de différents styles, types et formats. Pour plus de renseignements, reportez-vous à la section « Pilon » à la page 30.

3 Récipient de 64 oz (2 L) avec couvercle en deux parties :

- Utilisez toujours le couvercle et le bouchon du couvercle lorsque l'appareil est en marche.
- Ne faites jamais fonctionner le mélangeur sans vous assurer que le couvercle est bien verrouillé en place.
- Les onces, les millilitres et les tasses sont clairement indiqués.
- Insérez le bouchon dans le couvercle et verrouillez-le en tournant dans le sens horaire.
- Retirez le bouchon du couvercle pour utiliser le pilon ou ajouter des ingrédients.

4 Pilon : L'utilisation du pilon assure la circulation en empêchant la formation de bulles d'air pendant le mélange.

PIÈCES ET CARACTÉRISTIQUES

⚠ AVERTISSEMENT



Les couteaux rotatifs peuvent causer de graves blessures.
NE METTEZ JAMAIS la main dans le récipient quand l'appareil est en marche.



Pour verrouiller le couvercle en place : Placez le couvercle sur le récipient en vous assurant que les rabats du couvercle sont à mi-chemin entre le bec et la poignée. Poussez le couvercle sur le récipient jusqu'à ce qu'il soit verrouillé en place. Le couvercle doit toujours être bien fixé lorsque l'appareil fonctionne, en particulier quand des liquides chauds pouvant provoquer des brûlures s'y trouvent. **Ne faites jamais fonctionner le mélangeur sans vous assurer que le couvercle est bien verrouillé en place.**

Pour retirer le couvercle : Soulevez un rabat du couvercle tout en tenant le récipient fermement.

Pour retirer le bouchon du couvercle : Tournez le bouchon du couvercle dans le sens antihoraire, de la position « verrouillée » à la position « déverrouillée », et soulevez-le.

Cordon d'alimentation : Votre appareil est muni d'un long cordon d'alimentation. Rangez soigneusement la partie inutilisée sous l'appareil. Des dispositifs de retenue de cordon en plastique retiennent le cordon. Ils sont flexibles et reviennent à leur position après que le cordon en a été tiré.

Le moteur de votre mélangeur Vitamix est doté d'une protection contre les surchauffes lorsqu'il est utilisé. Cette fonction éteindra le moteur. Il est possible qu'une légère odeur se dégage du moteur. Si le moteur s'arrête parce qu'il a surchauffé au cours d'un mélange, laissez l'appareil refroidir de 20 à 45 minutes avant de commencer un autre cycle de mélange.

Conseils pour prévenir la « surcharge » de votre appareil Vitamix :

- Pour apprendre à utiliser l'appareil, ne préparez que des recettes Vitamix.
- Ne réduisez pas les vitesses de préparation recommandées pour les recettes.
- Ne dépassez pas les vitesses de préparation recommandées pour les recettes.
- Ne dépassez pas les temps de mélange recommandés pour les recettes.
- Utilisez votre pilon pour préparer des mélanges plus épais et garder les ingrédients en mouvement autour des couteaux et dans ceux-ci.

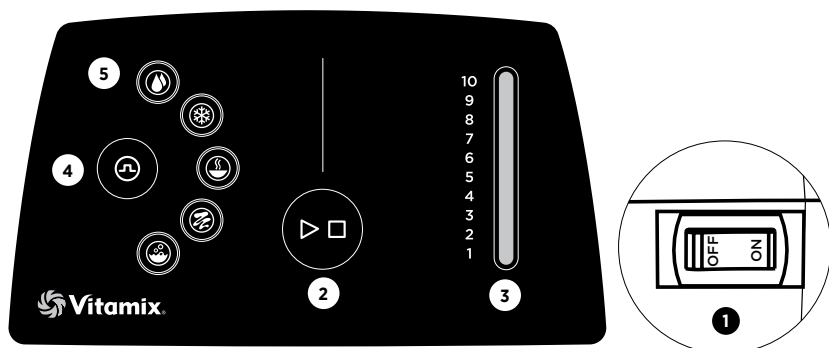
Feux clignotants sur le panneau de configuration :

Si vous voyez le poulis, LED 1 et 10 clignotent rapidement, matériau repose sur une zone tactile, provoquant la condition. Alimenter le mélangeur hors tension (On / Off), débranchez le mélangeur et nettoyez le matériau hors du panneau de contrôle. Après le nettoyage est terminé, branchez le mélangeur et le rallumer (On / Off) pour continuer l'assemblage.

Continu maximum Durée:

Le temps maximum autorisé de l'exécution continue du mélangeur est de 10 minutes. Le mélangeur va fermer après 10 minutes d'utilisation continue.

TABLEAU DE COMMANDE



1 Interrupteur On/Off (Marche/Arrêt) (I/O) :

L'interrupteur On/Off (Marche/Arrêt) (I/O) contrôle l'alimentation au socle-moteur de l'appareil. L'interrupteur On/Off (Marche/Arrêt) (I/O) est situé sur le côté droit du socle-moteur l'appareil.

Mettez l'interrupteur On/Off (Marche/Arrêt) (I/O) sur la position Off (Arrêt) (O) :

- après chaque utilisation
- pendant la nuit
- lorsque l'appareil est laissé sans surveillance.

Si l'interrupteur On/Off (Marche/Arrêt) (I/O) est mis à la position Off (Arrêt) (O) pour arrêter un programme en milieu de cycle, attendez 30 secondes que le courant soit rétabli et que la minuterie soit réinitialisée avant de mettre l'interrupteur On/Off (Marche/Arrêt) (I/O) sur la position On (Marche) (I).

2 Start (▷)/Stop (◻) (Marche/Arrêt) :

Vous pouvez interrompre le mélange en appuyant sur l'interrupteur Start (▷)/Stop (◻) (Marche/Arrêt) à tout moment.

Le mélangeur passera en mode Veille si le panneau de commande n'est pas utilisé après un certain temps (après 30 secondes). Pour quitter le mode Veille, appuyez sur n'importe quel bouton : Start (▷)/Stop (◻) (Marche/Arrêt), l'un des programmes ou une vitesse sur le sélecteur de vitesse variable.

3 Sélecteur de vitesse variable :

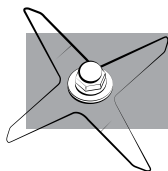
Le sélecteur de vitesse variable est utilisé pour sélectionner une vitesse entre 1 (basse) et 10 (haute).

4 Impulsion (Ⓢ) :

L'appareil mélangera à 50 % de la puissance maximale lorsque vous appuyez sur ce bouton.

5 Programmes :

Appuyez sur le bouton d'un programme pour sélectionner un programme pour les boissons fouettées (☉), les desserts glacés (☼), les soupes (☽), les purées (☾) ou le cycle de nettoyage (☿).



À PROPOS DES COUTEAUX

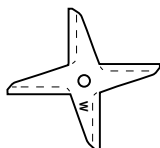
L'appareil Vitamix de base est vendu avec le récipient pour couteau humide. Le couteau est identifié par un « W » (première lettre du mot anglais « wet » qui signifie « humide »). Ce couteau est utilisé pour la plupart de vos recettes. Des récipients supplémentaires avec un couteau à lames humides ou sèches peuvent être achetés séparément.

⚠ AVERTISSEMENT

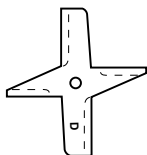


Les couteaux rotatifs peuvent causer de graves blessures.

NE METTEZ JAMAIS la main dans le récipient quand l'appareil est en marche.



Récipient pour couteau humide : Conçu pour mélanger des liquides, y compris les jus, les préparations glacées, les sauces, les soupes, les purées et les pâtes à frire, de même que pour hacher les ingrédients humides. Les couteaux humides peuvent également mouler le grain et pétrir la pâte, mais ils ne sont pas aussi efficaces que les couteaux secs pour cette application. Consultez les instructions pour l'utilisation du récipient sec.



Récipient pour couteau sec : Ces couteaux sont clairement marqués d'un « D » (première lettre du mot anglais « dry » qui signifie « sec ») et ils sont spécialement conçus pour mouler les ingrédients secs tels que les grains, les céréales et le café. Ils servent également à pétrir la pâte à pain. Les couteaux secs NE peuvent PAS mélanger efficacement les liquides. **Si vous broyez des herbes régulièrement, vous pourriez songer à acheter un récipient pour couteau sec séparément.**

⚠ ATTENTION



Les pièces mobiles peuvent devenir chaudes après une utilisation prolongée.

NE TOUCHEZ PAS ces pièces.



PILON

⚠ ATTENTION



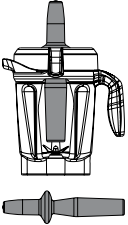

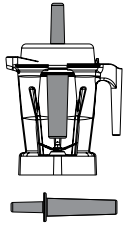
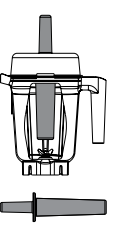

Les couteaux rotatifs peuvent causer des dommages.

Les couvercles et les pilons ne sont pas interchangeables entre récipients de différents styles, types et formats. Utilisez le pilon qui a été fourni avec votre appareil.

Comment déterminer quel pilon peut être utilisé avec votre récipient

Avant d'utiliser un pilon pendant le processus de mélange, assurez-vous qu'il s'agit bel et bien du pilon approprié. **Si le pilon a été fourni avec votre appareil et votre récipient, il s'agit du pilon approprié pour ce récipient.** Si le pilon n'a pas été fourni avec votre récipient, ou si vous voulez savoir si un pilon que vous avez déjà peut être utilisé avec votre nouveau récipient, veuillez comparer votre récipient avec les récipients de l'illustration ci-dessous afin de trouver le pilon correspondant.

1. Placez le couvercle sur un récipient vide.
2. Enlevez le bouchon du couvercle et insérez le pilon. Le pilon doit s'insérer facilement dans l'ouverture. Il ne doit pas toucher aux couteaux, peu importe la façon dont vous le déplacez à l'intérieur du récipient.
3. Inspectez visuellement : **SI LE PILON TOUCHE LES COUTEAUX LORSQU'IL EST DANS UN CERTAIN ANGLE, N'UTILISEZ PAS CE PILON AVEC VOTRE RÉCIENT.**
4. Si vous n'avez pas le bon pilon pour votre récipient, contactez le service à la clientèle résidentielle Vitamix au +1 800 848-2649 ou au +1 440 235-4840.

				
64 oz. / 2,0 L (PETIT)	64 oz / 2,0 L (GRAND)	48 oz / 1,4 L	32 oz / 0,9 L	
Le petit récipient de 64 oz (2 L) utilise un pilon mesurant environ 11 po (28 cm) de long.	Le grand récipient de 64 oz (2 L) utilise un pilon mesurant environ 12-½ po (31,8 cm) de long.	Les récipients de 48 oz (1,4 L) et 32 oz (0,9 L) utilisent un pilon mesurant environ 9-¾ po (24,8 cm) de long.		Aucun pilon sans cran de sécurité ne doit être utilisé, quel que soit le récipient.

COMMENT UTILISER LE PILON

⚠ AVERTISSEMENT



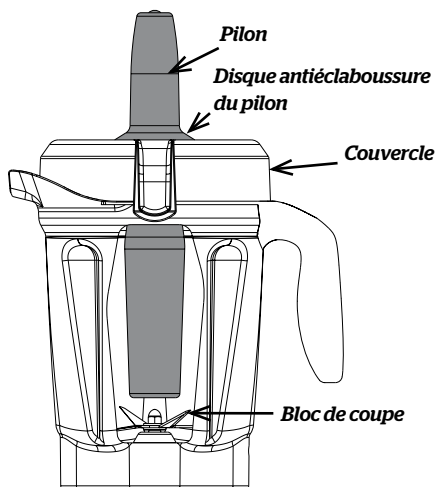
Les couteaux rotatifs peuvent causer de graves blessures.

- **GARDEZ TOUJOURS** les mains, les spatules, etc. hors du récipient pendant que l'appareil est en marche ou lorsque le récipient est encore sur le socle.
- Les couvercles et les pilons ne sont pas interchangeables entre récipients de différents styles, types et formats. Utilisez le pilon qui a été fourni avec votre appareil.



IMPORTANT!

- Lorsque le couvercle est correctement fixé en position verrouillée, le disque antiéclaboussure (près du haut du pilon) et le couvercle empêchent le pilon de frapper les couteaux.
- Le récipient ne doit pas être rempli plus qu'aux deux tiers lorsque le pilon est utilisé pendant le mélange.
- Pour éviter de faire surchauffer l'appareil pendant le mélange, N'UTILISEZ PAS le pilon pendant plus de 30 secondes consécutives.
- Si les aliments ne circulent pas, il se peut qu'une bulle d'air soit emprisonnée dans l'appareil. Retirez avec soin le bouchon du couvercle tout en vous assurant que le couvercle reste bien en place. Faites sortir la bulle d'air en insérant le pilon par l'ouverture du bouchon du couvercle.
- Il se peut que le fait de tenir le pilon tout droit vers le bas n'aide pas les ingrédients à circuler. Au besoin, dirigez le pilon vers les côtés ou les coins du récipient. NE tentez PAS de faire entrer le pilon plus profondément dans le récipient.



CONSEILS POUR LE RÉGLAGE DES VITESSES

⚠ ATTENTION



Afin d'éviter d'éventuelles brûlures, ne mettez jamais l'appareil en marche à une vitesse supérieure à 1 lorsque des liquides chauds sont mélangés.

La vapeur, les éclaboussures et le contenu s'échappant du récipient peuvent causer des brûlures.

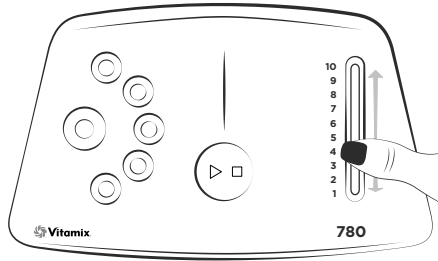
Pour empêcher le contenu de sortir du récipient, verrouillez bien le couvercle et le bouchon du couvercle en place avant de faire fonctionner l'appareil.

Mettez toujours l'appareil en marche à la position variable 1, puis augmentez lentement la vitesse jusqu'à la position 10.



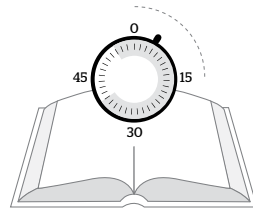
Utilisation de la vitesse variable

1. Pour sélectionner une vitesse, appuyez sur le sélecteur de vitesse variable jusqu'à ce que le chiffre voulu s'allume.
2. Faites glisser votre doigt vers le haut ou vers le bas pour augmenter ou diminuer la vitesse du mélangeur (1 correspond à une vitesse basse et 10 à une vitesse haute). Lorsque la vitesse change, le chiffre correspondant s'allume.
3. Remplacez le sélecteur de vitesse variable sur 1 à la fin du cycle de mélange, appuyez sur l'interrupteur Start (▶)/Stop (◻) (Marche/Arrêt) pour arrêter complètement la rotation du couteau.



Utilisez le réglage le plus élevé indiqué dans la recette pendant autant de temps de traitement que possible pour préparer les boissons fouettées, soupes, laits frappés, préparations glacées, purées, beurres de noix et pour moulinier les grains. Les temps de mélange seront généralement de moins d'une minute (la plupart seront de moins de 30 secondes).

Mélanger trop longtemps à un réglage de vitesse trop bas peut faire surchauffer l'appareil et provoquer l'arrêt de ce dernier par la protection automatique contre les surcharges. Mélanger à une vitesse plus élevée permet d'exploiter au maximum le ventilateur de refroidissement du moteur pour éviter la surchauffe.



Programmes

Votre mélangeur est doté de programmes pour les boissons fouettées (☉), les desserts glacés (☼), les soupes (☽), les purées (☾) ou le cycle de nettoyage (☿). La vitesse de rotation du couteau peut changer en cours de programme. Laissez le mélangeur finir son cycle. Les couteaux arrêteront automatiquement de tourner à la fin du programme.

MODE D'EMPLOI

⚠ ATTENTION



Afin d'éviter d'éventuelles brûlures, ne mettez jamais l'appareil en marche à une vitesse supérieure à 1 lorsque des liquides chauds sont mélangés.

La vapeur, les éclaboussures et le contenu s'échappant du récipient peuvent causer des brûlures.

Pour empêcher le contenu de sortir du récipient, verrouillez bien le couvercle et le bouchon du couvercle en place avant de faire fonctionner l'appareil.

Mettez toujours l'appareil en marche à la position variable 1, puis augmentez lentement la vitesse jusqu'à la position 10.



Lors des premières utilisations de votre mélangeur, il est possible qu'une légère odeur de brûlé se dégage pendant le rodage du moteur. Cette odeur est tout à fait normale et se dissipera rapidement.

Récipient pour couteau humide

Le récipient pour couteau humide est conçu pour le traitement de liquides, y compris les jus, préparations glacées, sauces, soupes, purées et pâtes.

1. Remplissez le récipient avant de le placer sur le socle-moteur. Mettez d'abord les liquides et les aliments mous dans le récipient, puis continuez avec les aliments solides et finalement la glace.
2. Fixez solidement le couvercle en 2 parties. Mettez toujours en place les deux pièces du couvercle lorsque l'appareil est en marche (sauf si le pilon est inséré dans l'ouverture du bouchon du couvercle). Assurez-vous que le couvercle est bien verrouillé, particulièrement lorsque vous mélangez des ingrédients chauds.

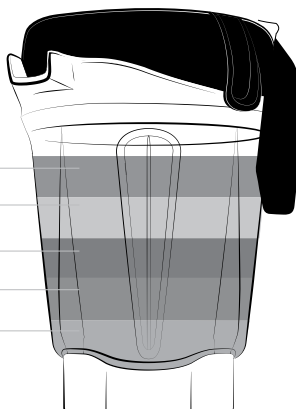
Glace et ingrédients surgelés

Fruits et légumes

Légumes-feuilles

Ingrédients secs

Liquides



3. Après avoir arrêté le moteur, placez le récipient pour couteau humide sur le socle-moteur en l'alignant sur la pièce de centrage. Ne tentez jamais de mettre le récipient sur le socle moteur alors qu'il est en marche ou de mettre en marche le socle moteur sans que le récipient soit bien en place.
4. Pour commencer, assurez-vous que l'interrupteur On/Off (Marche/Arrêt) est sur la position On (Marche) (I).

MODE D'EMPLOI

5. Appuyez sur le sélecteur de vitesse variable ou appuyez sur un programme jusqu'à ce qu'il s'allume.
6. Mettez les couteaux en marche en appuyant sur l'interrupteur Start/Stop (Marche/Arrêt). Votre récipient se déplacera et s'alignera par lui-même. Suivez la recette et réglez la vitesse variable au besoin.
7. Si le mélange cesse de circuler, insérez le pilon dans l'orifice du couvercle et mélangez les ingrédients jusqu'à ce que la bulle soit libérée et que les couteaux fassent circuler les ingrédients. Si cela ne fonctionne pas, appuyez sur l'interrupteur Start/Stop (Marche/Arrêt) pour arrêter le moteur. Retirez le récipient du socle-moteur et utilisez une spatule en caoutchouc pour dégager la bulle d'air des couteaux. Remettez le récipient sur le socle-moteur, replacez le couvercle et continuez à mélanger.
8. Jusqu'à ce que vous soyez habitué à l'appareil, comptez le temps de mélange avec soin pour éviter de trop mélanger les aliments.
9. Laissez le programme se terminer. La rotation du couteau s'arrêtera automatiquement à la fin du programme. Si vous utilisez la vitesse variable, retournez à la vitesse 1. Appuyez sur l'interrupteur Start (▶)/Stop (◻) (Marche/Arrêt).
10. Attendez que les couteaux soient complètement immobilisés pour retirer le couvercle ou soulever le récipient du socle-moteur.

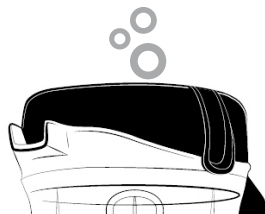
Récipient pour couteau sec

Si vous avez acheté un récipient pour couteau sec, celui-ci doit être utilisé uniquement pour les ingrédients durs et secs comme les grains et pour pétrir la pâte.

1. Remplissez le récipient avant de le placer sur le socle-moteur.
2. Fixez solidement le couvercle en 2 parties. Mettez toujours en place les deux pièces du couvercle lorsque l'appareil est en marche (sauf si le pilon est inséré dans l'ouverture du bouchon du couvercle).
3. Après avoir arrêté le moteur, placez le récipient pour couteau sec sur le socle-moteur en l'alignant sur la pièce de centrage. Ne tentez jamais de mettre le récipient sur le socle-moteur alors qu'il est en marche ou de mettre en marche le socle-moteur sans que le récipient soit bien en place.
4. Pour commencer, assurez-vous que l'interrupteur On/Off (Marche/Arrêt) est sur la position On (Marche) (I).
5. Appuyez sur le sélecteur de vitesse variable ou appuyez sur un programme jusqu'à ce qu'il s'allume.
6. Mettez les couteaux en marche en appuyant sur l'interrupteur Start/Stop (Marche/Arrêt). Votre récipient se déplacera et s'alignera par lui-même. Suivez la recette et réglez la vitesse variable au besoin.
7. Jusqu'à ce que vous soyez habitué à l'appareil, comptez le temps de mélange avec soin pour éviter de trop mélanger les aliments.
8. Laissez le programme se terminer. La rotation du couteau s'arrêtera automatiquement à la fin du programme. Si vous utilisez la vitesse variable, retournez à la vitesse 1. Appuyez sur l'interrupteur Start (▶)/Stop (◻) (Marche/Arrêt).
9. Attendez que les couteaux soient complètement immobilisés pour retirer le couvercle ou soulever le récipient du socle-moteur.

ENTRETIEN ET NETTOYAGE

Suivez les étapes décrites à la section « Nettoyage normal » ci-dessous pour préparer votre nouvel appareil à sa première utilisation. Ces étapes permettront de nettoyer l'appareil et de roder le moteur.



1. Remplissez le récipient d'eau chaude jusqu'à la moitié et ajoutez quelques gouttes de savon à vaisselle liquide dans le récipient.
2. Enclenchez ou enfoncez le couvercle en deux parties au complet dans la position verrouillée.
3. Effectuez l'une des procédures suivantes :
 - Vitesse variable :
 - a. Placez le sélecteur de vitesse variable sur 1.
 - b. Appuyez sur l'interrupteur Start (▶)/Stop (◻) (Marche/Arrêt).
 - c. Augmentez lentement la vitesse variable à 10.
 - d. Faites fonctionner l'appareil pendant 30 à 60 secondes.
 - e. Réduisez le sélecteur de vitesse variable sur 1. Appuyez sur l'interrupteur Start (▶)/Stop (◻) (Marche/Arrêt).
 - Programme :
 - a. Appuyez sur l'icône du programme de nettoyage (☺) jusqu'à ce qu'il s'allume.
 - b. Appuyez sur l'interrupteur Start (▶)/Stop (◻) (Marche/Arrêt).
 - c. Laissez le programme se terminer.
4. Rincez et égouttez le récipient.

Pour désinfecter

1. Suivez les instructions de nettoyage ci-dessus.
2. Remplissez le récipient à moitié d'eau et ajoutez 1 ½ cuillerée à thé d'eau de Javel.
3. Enclenchez ou enfoncez le couvercle en deux parties au complet dans la position verrouillée.
4. Effectuez l'une des procédures suivantes :
 - Vitesse variable :
 - a. Placez le sélecteur de vitesse variable sur 1.
 - b. Appuyez sur l'interrupteur Start (▶)/Stop (◻) (Marche/Arrêt).
 - c. Augmentez lentement la vitesse variable à 10.
 - d. Faites fonctionner l'appareil pendant 30 à 60 secondes.
 - e. Réduisez le sélecteur de vitesse variable sur 1. Appuyez sur l'interrupteur Start (▶)/Stop (◻) (Marche/Arrêt).
 - Programme :
 - a. Appuyez sur l'icône du programme de nettoyage (☺) jusqu'à ce qu'il s'allume.
 - b. Appuyez sur l'interrupteur Start (▶)/Stop (◻) (Marche/Arrêt).
 - c. Laissez le programme se terminer.

ENTRETIEN ET NETTOYAGE

5. Laissez reposer le mélange dans le récipient pendant 1 ½ minute supplémentaire.
6. Videz le récipient du mélange contenant de l'eau de Javel. Laissez le récipient sécher à l'air.
7. Ne rincez pas le récipient après la désinfection.

⚠ WARNING



Pour éviter les blessures et les dommages.

Pour éviter toute mise en route accidentelle, éteignez et débranchez l'appareil avant de le nettoyer.

⚠ AVERTISSEMENT



Risque de décharge électrique

Débranchez toujours l'appareil avant de nettoyer le socle-moteur ou lorsqu'il n'est pas utilisé.

Ne placez pas le socle-moteur dans l'eau ou dans un autre liquide.

Le non-respect de ces instructions peut entraîner la mort ou causer une décharge électrique.

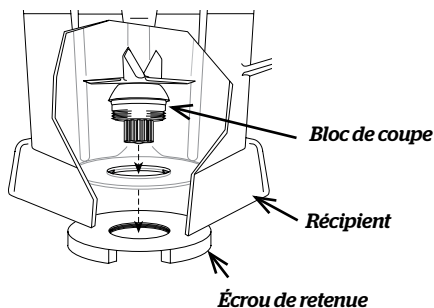


Socle-moteur

1. Éteignez l'appareil. Débranchez le cordon d'alimentation.
2. Lavez les surfaces extérieures et la tableau de commande avec une éponge ou un chiffon doux et humide qui a été rincé(e) dans une solution de détergent liquide doux et d'eau chaude. Ne placez pas le socle-moteur dans l'eau.
3. La pièce de centrage peut être retirée pour un nettoyage plus complet.
4. Séchez immédiatement toutes les surfaces.
5. Polissez le socle-moteur à l'aide d'un chiffon doux.

Écrou de retenue desserré

Si l'écrou de retenue se trouvant au fond du récipient se desserre et ne maintient plus en place le bloc de coupe de manière sécuritaire, **CESSEZ D'UTILISER LE RÉCIPIENT**. Communiquez immédiatement avec le service à la clientèle de Vitamix pour connaître la marche à suivre.



ASSISTANCE TECHNIQUE ET ENREGISTREMENT

Assistance technique Vitamix

Notez le numéro de modèle et le numéro de série de votre appareil Vitamix ci-dessous pour pouvoir vous y référer ultérieurement. Vous trouverez ces numéros à l'arrière du socle-moteur.

Numéro de modèle _____

Numéro de série _____

Date d'achat _____

Acheté de _____

Avant de retourner cet appareil pour quelque raison que ce soit, y compris une réparation, contactez d'abord le service à la clientèle de Vitamix en composant le +1 800 848-2649 ou le +1 440 235-4840 ou en envoyant un courriel à l'adresse service@vitamix.com, ou contactez le détaillant de votre région.

Enregistrement du produit

Si vous avez acheté votre appareil Vitamix directement de Vita-Mix Corporation par le biais du site Internet ou du centre d'appels (par téléphone) de l'entreprise, votre appareil a été enregistré au moment de l'achat et la garantie de votre appareil Vitamix a été activée.

Si vous avez acheté votre appareil Vitamix chez un distributeur ou un détaillant international dans un pays autre que le Canada, les États-Unis, le Royaume-Uni ou l'Irlande, votre appareil est garanti par le distributeur ou le détaillant international et n'a pas besoin d'être enregistré auprès de Vita-Mix Corporation.

Votre appareil n'est pas encore enregistré auprès de Vitamix si :

1. Vous l'avez acheté d'un détaillant au Canada, aux États-Unis, au Royaume-Uni ou en Irlande.
2. Vous l'avez acheté d'une base militaire.
3. Vous l'avez acheté dans un magasin de vente au détail ou en gros.
4. Vous avez reçu votre appareil Vitamix en cadeau.
5. Vous n'êtes pas le propriétaire original de l'appareil.

Nous serons en mesure de vous offrir un service d'assistance technique plus simple et plus rapide si vous prenez quelques minutes pour enregistrer votre appareil Vitamix dès aujourd'hui.

Choisissez l'une de ces méthodes pour enregistrer facilement votre appareil :

1. En ligne sur la page vitamix.com/warranty.
2. Par courriel à l'adresse service@vitamix.com.
3. Par téléphone au +1 800 848-2649 ou au +1 440 235-4840.

Votre garantie peut être honorée par Vita-Mix Corporation ou un détaillant autorisé.

Le fait de ne pas enregistrer votre appareil ne diminuera en rien vos droits de garantie.

GARANTIE

Garantie complète de l'appareil pendant sept (7) ans

1. ENREGISTREMENT DU PRODUIT.

Vita-Mix Corporation (« Vitamix ») vous recommande vivement d'enregistrer votre achat en remplissant et en retournant la carte d'enregistrement du produit fournie avec cet appareil. Vous pouvez enregistrer votre produit en ligne sur vitamix.com/warranty ou en appelant notre service à la clientèle au +1 800 848-2649 ou au +1 440 235-4840. Le fait de ne pas enregistrer votre appareil ne diminuera en rien vos droits de garantie. Toutefois, l'enregistrement de votre achat permettra à Vitamix de mieux vous servir, peu importe vos besoins.

2. PERSONNES POUVANT BÉNÉFICIER DE CETTE GARANTIE.

Cette garantie est offerte par Vitamix au propriétaire de cet appareil pour un usage domestique personnel seulement. Cette garantie ne s'applique pas aux appareils utilisés à des fins commerciales, de location ou de revente. Si l'appareil change de propriétaire pendant la période de 7 ans, veuillez mettre à jour les renseignements sur le propriétaire de l'appareil à l'adresse www.vitamix.com/warranty.

3. CE QUI EST COUVERT.

Vitamix garantit au propriétaire que si cet appareil (**un « appareil » consiste en le socle-moteur du mélangeur, les récipients achetés et le pilon**) ne fonctionne plus dans les 7 ans suivant la date d'achat en raison d'un défaut de matériau ou de fabrication ou à la suite d'une usure normale pour un usage domestique, Vitamix procédera, dans les 30 jours suivant la réception du produit retourné, à la réparation de l'appareil ou du composant défaillant sans frais.

Si, à la seule discrétion de Vitamix, l'appareil ou le composant défaillant ne peut pas être réparé, Vitamix décidera soit (A) de remplacer l'appareil sans frais ou (B) de rembourser le prix d'achat total au propriétaire, à moins que Vitamix reçoive un préavis écrit indiquant la préférence du propriétaire.

4. CE QUI N'EST PAS COUVERT.

Cette garantie ne s'applique pas aux appareils utilisés pour des applications commerciales ou autres que domestiques. Cette garantie ne couvre pas les changements superficiels qui n'affectent pas la performance de l'appareil comme la décoloration, les effets de l'utilisation d'abrasifs ou de nettoyeurs ou les accumulations d'aliments. Cette garantie n'est valable que si l'appareil est utilisé et entretenu conformément aux instructions, aux avertissements et aux consignes de sécurité contenus dans le manuel d'utilisation. Vitamix ne pourra pas être tenue responsable du coût de réparations sous garantie non autorisées.

LA RÉPARATION, LE REMPLACEMENT OU LE REMBOURSEMENT DU PRIX D'ACHAT DE L'APPAREIL SONT LES RECOURS EXCLUSIFS DE L'ACHETEUR ET LA SEULE RESPONSABILITÉ DE VITAMIX EN VERTU DE CETTE GARANTIE. AUCUN EMPLOYÉ OU REPRÉSENTANT DE VITAMIX N'EST AUTORISÉ À ACCORDER UNE GARANTIE SUPPLÉMENTAIRE OU À APPORTER UNE MODIFICATION À CETTE GARANTIE POUVANT LIER VITAMIX. PAR CONSÉQUENT, L'ACHETEUR NE DOIT PAS SE FIER À TOUTE AUTRE DÉCLARATION FAITE PAR UN EMPLOYÉ OU UN REPRÉSENTANT DE VITAMIX. EN AUCUN CAS, QUE CE SOIT EN RAISON D'UN CONTRAT, D'UNE INDEMNISATION, D'UNE GARANTIE, D'UN ACTE DÉLICIEUX (Y COMPRIS LA NÉGLIGENCE), D'UNE RESPONSABILITÉ STRICTE OU AUTRE, VITAMIX NE POURRA

GARANTIE

ÊTRE TENUE RESPONSABLE DE DOMMAGES SPÉCIAUX, INDIRECTS, ACCESSOIRES OU CONSÉCUTIFS, Y COMPRIS, MAIS SANS S'Y LIMITER, LES PERTES DE PROFITS OU DE REVENUS.

Certaines provinces et certains territoires ne permettent pas de limites sur les garanties. Si vous habitez dans ces provinces et territoires, les limites ci-dessus peuvent ne pas s'appliquer à vous. Dans les pays autres que le Canada et les États-Unis, d'autres garanties peuvent s'appliquer.

5. CE QUI ANNULE CETTE GARANTIE.

L'utilisation abusive, inappropriée ou négligente de l'appareil, l'altération de l'appareil, l'exposition de l'appareil à des conditions anormales ou extrêmes et le non-respect des consignes d'utilisation annulent cette garantie.

La garantie est aussi annulée si l'appareil ou un composant de l'appareil est réparé par une personne autre qu'un réparateur de Vitamix ou autorisé par Vitamix ou si un composant de l'appareil visé par la présente garantie est utilisé en combinaison avec un socle-moteur ou un récipient qui n'est pas expressément autorisé par Vitamix.

6. COMMENT OBTENIR UNE AUTORISATION DE RETOUR EN VERTU DE CETTE GARANTIE.

Si l'appareil ou un composant de l'appareil doit être entretenu ou réparé, veuillez communiquer avec le service à la clientèle de Vitamix en composant le +1 800 848-2649 ou le +1 440 235-4840. Si votre appareil n'a pas été enregistré auprès de Vitamix, vous devez fournir une date d'achat et une preuve d'achat. Si le produit est couvert par la présente garantie, vous recevrez un numéro d'autorisation de retour, les instructions d'expédition les plus récentes et une étiquette de collecte de retour affranchie. Vitamix paiera les frais d'expédition normaux pour le retour de l'appareil ou d'un composant de l'appareil pour les réparations et l'entretien couverts par la garantie, ainsi que les frais liés à l'expédition de retour du produit à votre adresse après la réparation ou le remplacement couvert(e) par la garantie. L'acheteur est responsable des coûts pour les demandes d'expédition particulières.

Au Canada et aux États-Unis, cette garantie est honorée directement par Vita-Mix Corporation.

États-Unis

Vita-Mix Corporation
8615 Usher Road
Cleveland, Ohio 44138-2199
+1 800 848-2649
service@vitamix.com.

Canada

Vita-Mix Corporation
200-1701 Shepherd Street East
Windsor, Ontario N8Y 4Y5
+1 800 848-2649
service@vitamix.com.

Vous serez réputé avoir accepté le produit retourné « tel quel » lors de la livraison, sauf si vous avisez Vitamix de tout problème, y compris de dommages subis pendant le transport, dans les 48 heures suivant la livraison.

INSTRUCTIONS INTERNATIONALES

Si un appareil a été acheté au Canada ou aux États-Unis, mais qu'il se trouve actuellement à l'extérieur du Canada ou des États-Unis, l'expédition ainsi que les taxes et les droits d'importation en découlant sont à la charge du propriétaire. Appelez au +1 440 235-4840 ou envoyez un courriel à service@vitamix.com pour plus de détails.

CARACTÉRISTIQUES TECHNIQUES

Vitamix 780™

Moteur :

≈ Moteur de puissance maximale de 2,2 hp

Caractéristiques électriques :

120 V, 50/60 Hz, 11,5 A

Muni d'un cordon à trois broches mis à la terre pour les É.-U.

Dimensions :

Hauteur : 17,25 po/43,9 cm

Largeur : 8,8 po/22,4 cm

Profondeur : 9 po/22,9 cm

Le cas échéant :



Pour voir la gamme complète de produits Vitamix,
visitez **vitamix.com**.



Vita-Mix Corporation
8615 Usher Road
Cleveland, OH 44138-2103 États-Unis
+1 800 848-2649/ +1 440 235-4840

vitamix.com

©2015 Vita-Mix Corporation. Aucune partie de cette publication ne peut être reproduite ou transmise sous quelque forme ou par quelque moyen que ce soit ou stockée dans une base de données ou un système d'extraction sans la permission écrite de Vita-Mix Corporation.